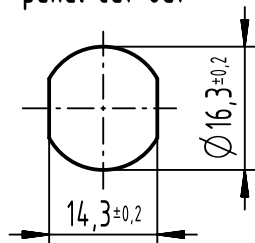
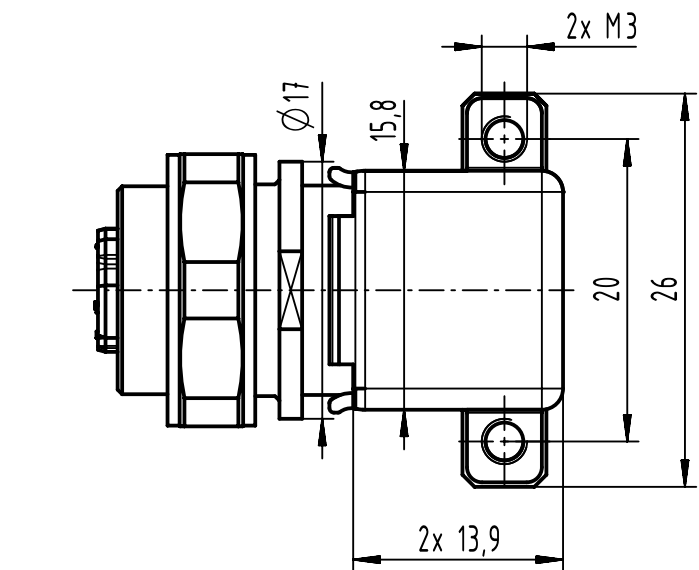
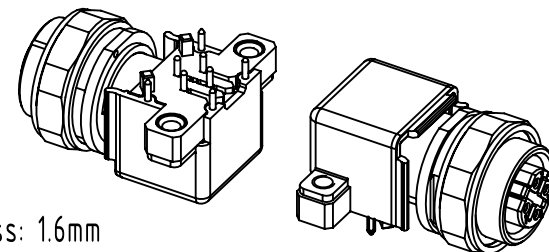


(1:1)  
panel cut out



1 recommended PCB-thickness: 1.6mm



|                              |  |                        |                         |                 |  |
|------------------------------|--|------------------------|-------------------------|-----------------|--|
|                              | All Dimensions in mm<br>Original Size DIN A4 | Scale<br>2:1           | Free size tol.          | Ref.            |  |
|                              |  |                        |                         | Sub.            |  |
|                              | All rights reserved                          | Created by<br>BUSSMANN | Inspected by<br>104.122 | Standardisation | Date<br>2021-09-16                                       |
|                              | Department EL PD                             |                        |                         |                 | State<br>Final Release                                   |
| HARTING<br>D-32339 Espelkamp | Title<br>HARTING M12 PFT angled D-coded IP20 |                        |                         |                 | Doc-Key / ECM-Nr.<br>100219178/UGD/002/P<br>500000202114 |
|                              | Type<br>TB                                   | Number<br>21033814413  |                         |                 | Rev.<br>P  |